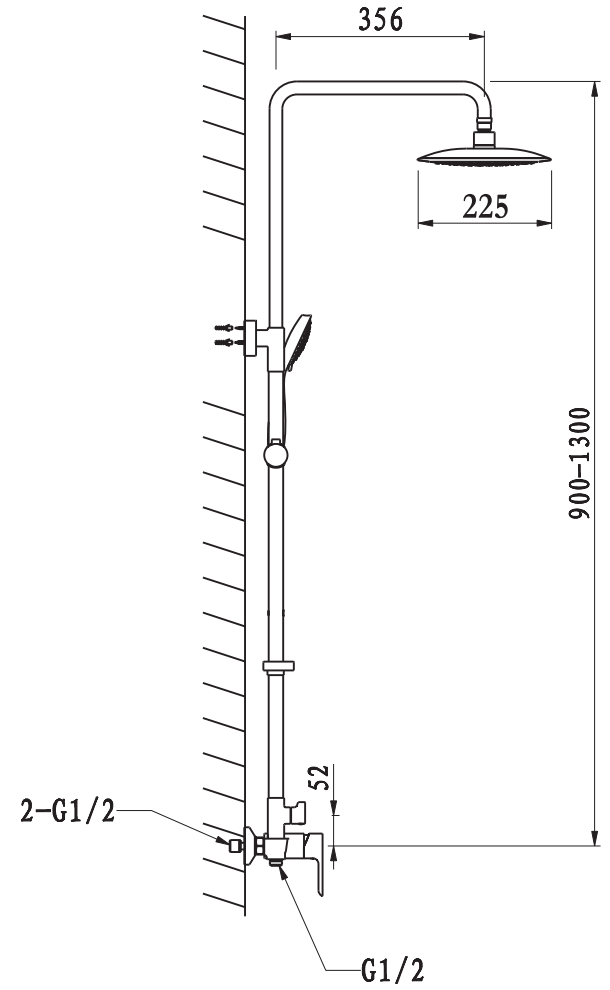


900-1000



2-G1/2

G1/2

